

# 3 Watt and 6 Watt Solar Panels

(Part Nos: SOLAR-3W and SOLAR-6W)

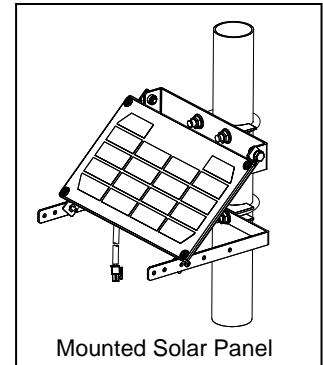
## Inside this package:

- 3 Watt or 6 Watt Solar Panel with assembly hardware (brackets, screws, bolts, lock washers)
- U-Bolts, saddles, flanged nuts (for mounting solar panel to a 4.1 cm/1.63 in. diameter mast)
- These instructions

## Tools required:

- Phillips-head screwdriver
- 7/16-inch wrench
- 1/2-inch wrench

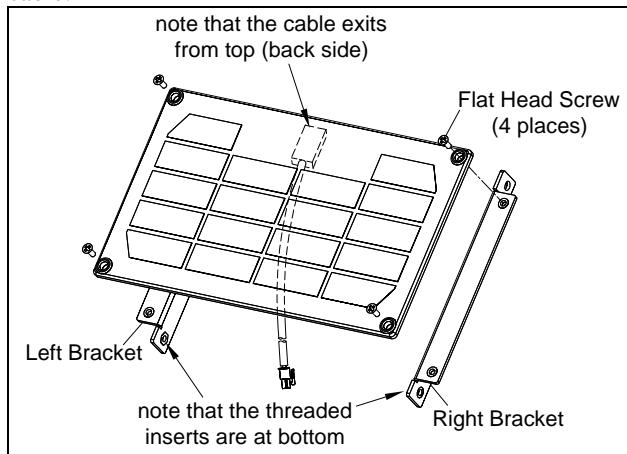
**Installation Considerations:** The solar panel **must** be mounted where it will receive full sunlight, or performance will be severely degraded!



**Note:** 3 watt solar panel shown in illustrations below; assembly identical for 6 watt panel.

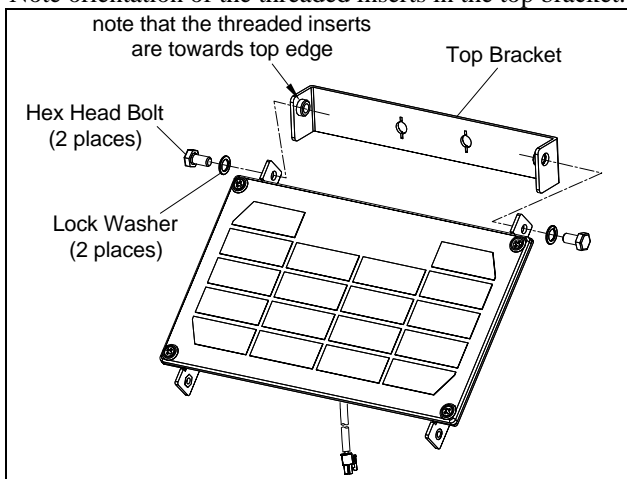
### 1. Install Left and Right Brackets:

Install the left and right brackets onto the solar panel using the four supplied flat head screws. Note orientation of the threaded inserts in the brackets and of the solar panel cable.



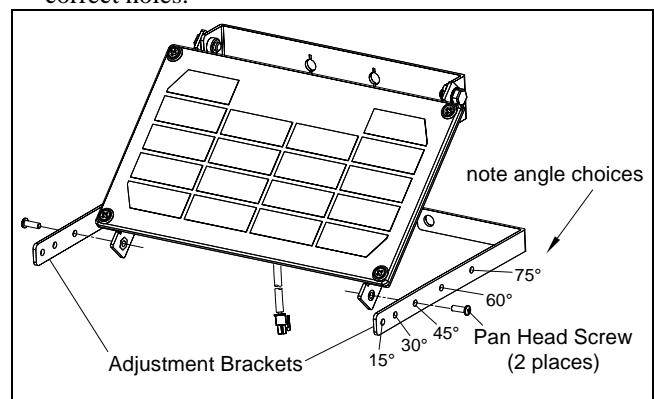
### 2. Install Top Bracket:

Install the top bracket between the left and right brackets using the two supplied hex head bolts and lock washers. Note orientation of the threaded inserts in the top bracket.



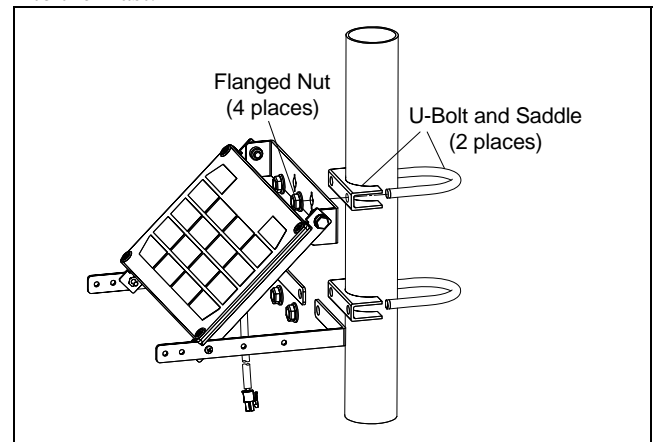
### 3. Install Adjustment Brackets:

Install the two adjustment brackets onto the left and right brackets using the two supplied pan head screws. Note the five angle choices (15°, 30°, 45°, 60°, and 75°) shown. Choose the proper angle for the location where the solar panel is being deployed and install the screws in the correct holes.



### 4. Mount to Mast:

Mount the assembled solar panel to 4.1 cm (1.63 inch) diameter mast (mast not included) using the supplied U-bolts and saddles (two each) and flanged nuts (four each) to secure the top bracket and the two adjustment brackets to the mast.



## Service and Support

As part of Onset's ongoing efforts to provide 100% customer satisfaction, our Continuing Engineering Group constantly monitors and evaluates all of our products and software. In the unlikely event any significant defect is found, Onset will notify you. If you find a defect, please e-mail us at [loggerhelp@onsetcomp.com](mailto:loggerhelp@onsetcomp.com).

HOBO products are easy to use and reliable. In the unlikely event that you have a problem with this instrument, contact the company where you bought the logger: Onset or an Onset Authorized Dealer. Before calling, you can evaluate and often solve the problem if you write down the events that led to the problem (are you doing anything differently?) and if you visit the Technical Support section of the Onset web site at [www.onsetcomp.com/support.html](http://www.onsetcomp.com/support.html). When contacting Onset, ask for technical support and be prepared to provide the product number and serial number for the logger and software version in question. Also completely describe the problem or question. The more information you provide, the faster and more accurately we will be able to respond.

Onset Computer Corporation  
470 MacArthur Blvd., Bourne, MA 02532  
Mailing: PO Box 3450, Pocasset, MA 02559-3450  
Phone: 1-800-LOGGERS (1-800-564-4377) or 508-759-9500  
Fax: 508-759-9100  
E-mail: [loggerhelp@onsetcomp.com](mailto:loggerhelp@onsetcomp.com)  
Internet: [www.onsetcomp.com](http://www.onsetcomp.com)

## Warranty

Onset Computer Corporation (Onset) warrants to the original end-user purchaser for a period of **one year** from the date of original purchase that the HOBO® product(s) purchased will be free from defect in material and workmanship. During the warranty period Onset will, at its option, either repair or replace products that prove to be defective in material or workmanship. This warranty shall terminate and be of no further effect at the time the product is (1) damaged by extraneous cause such as fire, water, lightning, etc. or not maintained in accordance with the accompanying documentation; (2) modified; (3) improperly installed; (4) repaired by someone other than Onset; or (5) used in a manner or purpose for which the product was not intended.

**THERE ARE NO WARRANTIES BEYOND THE EXPRESSED WARRANTY ABOVE. IN NO EVENT SHALL ONSET BE LIABLE FOR LOSS OF PROFITS OR INDIRECT, CONSEQUENTIAL, INCIDENTAL, SPECIAL OR OTHER SIMILAR DAMAGES ARISING OUT OF ANY BREACH OF THIS CONTRACT OR OBLIGATIONS UNDER THIS CONTRACT, INCLUDING BREACH OF WARRANTY, NEGLIGENCE, STRICT LIABILITY, OR ANY OTHER LEGAL THEORY.**

**Limitation of Liability.** The Purchaser's sole remedy and the limit of Onset's liability for any loss whatsoever shall not exceed the Purchaser's price of the product(s). The determination of suitability of products to the specific needs of the Purchaser is solely the Purchaser's responsibility. **THERE ARE NO WARRANTIES BEYOND THE EXPRESSED WARRANTY OFFERED WITH THIS PRODUCT. EXCEPT AS SPECIFICALLY PROVIDED IN THIS DOCUMENT, THERE ARE NO OTHER WARRANTIES EXPRESS OR IMPLIED, INCLUDING BUT NOT LIMITED TO, ANY IMPLIED WARRANTIES OF MERCHANTABILITY OR FITNESS FOR A PARTICULAR PURPOSE. NO INFORMATION OR ADVICE GIVEN BY ONSET, ITS AGENTS OR EMPLOYEES SHALL CREATE A**

## WARRANTY OR IN ANY WAY INCREASE THE SCOPE OF THE EXPRESSED WARRANTY OFFERED WITH THIS PRODUCT.

**Indemnification.** Products supplied by Onset are not designed, intended, or authorized for use as components intended for surgical implant or ingestion into the body or other applications involving life-support, or for any application in which the failure of the Onset-supplied product could create or contribute to a situation where personal injury or death may occur. Products supplied by Onset are not designed, intended, or authorized for use in or with any nuclear installation or activity. Products supplied by Onset are not designed, intended, or authorized for use in any aeronautical or related application. Should any Onset-supplied product or equipment be used in any application involving surgical implant or ingestion, life-support, or where failure of the product could lead to personal injury or death, or should any Onset-supplied product or equipment be used in or with any nuclear installation or activity, or in or with any aeronautical or related application or activity, Purchaser will indemnify Onset and hold Onset harmless from any liability or damage whatsoever arising out of the use of the product and/or equipment in such manner.

## Returns

Please direct all warranty claims and repair requests to place of purchase.

Before returning a failed unit directly to Onset, you must obtain a Return Merchandise Authorization (RMA) number from Onset. You must provide proof that you purchased the Onset product(s) directly from Onset (purchase order number or Onset invoice number). Onset will issue an RMA number that is valid for 30 days. You must ship the product(s), properly packaged against further damage, to Onset (at your expense) with the RMA number marked clearly on the outside of the package. Onset is not responsible for any package that is returned without a valid RMA number or for the loss of the package by any shipping company. Loggers must be clean before they are sent back to Onset or they may be returned to you.

## Repair Policy

Products that are returned after the warranty period or are damaged by the customer as specified in the warranty provisions can be returned to Onset with a valid RMA number for evaluation.

**ASAP Repair Policy.** For an additional charge, Onset will expedite the repair of a returned product.

---

© 2007 Onset Computer Corporation. All rights reserved.  
Manual Part No: MAN-SOLAR-3W/6W  
Doc No: 11801-A

Onset and HOBO are registered trademarks of Onset Computer Corporation. Other products and brand names may be trademarks or registered trademarks of their respective owners.